

# SmartSoC Case Study



# DMS - Solution Blueprint



## Behavioral Parameters

- Eye state
- Eyeball tracking
- Mouth Features
- Facial Expressions
- Hand movement

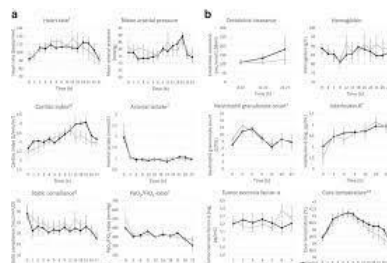


Images + Video



## Physiological Parameters

- Heart Rate
- Respiratory Signal
- Body Temperature

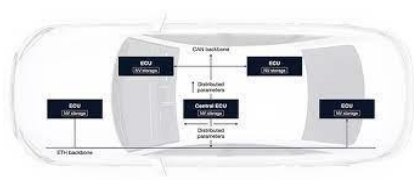


Numeric + Time-series

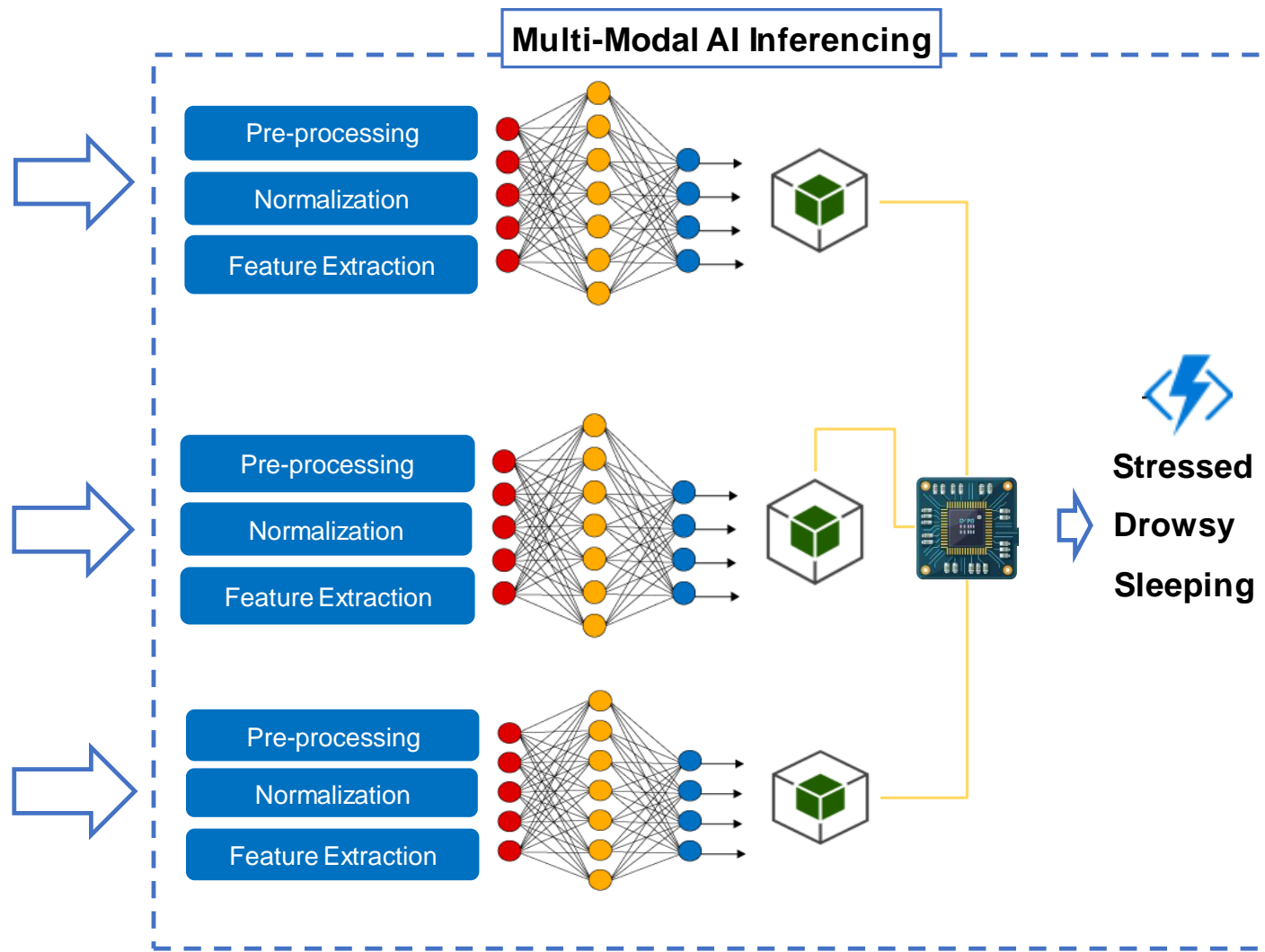


## Sensor/ECU Parameters

- Diagnostic data
- Cruise Control status
- Speed
- Fuel consumption/km



Categorical + Time-series



# Thank You

**Silicon to System –  
Your Trusted Turnkey Partner**

